

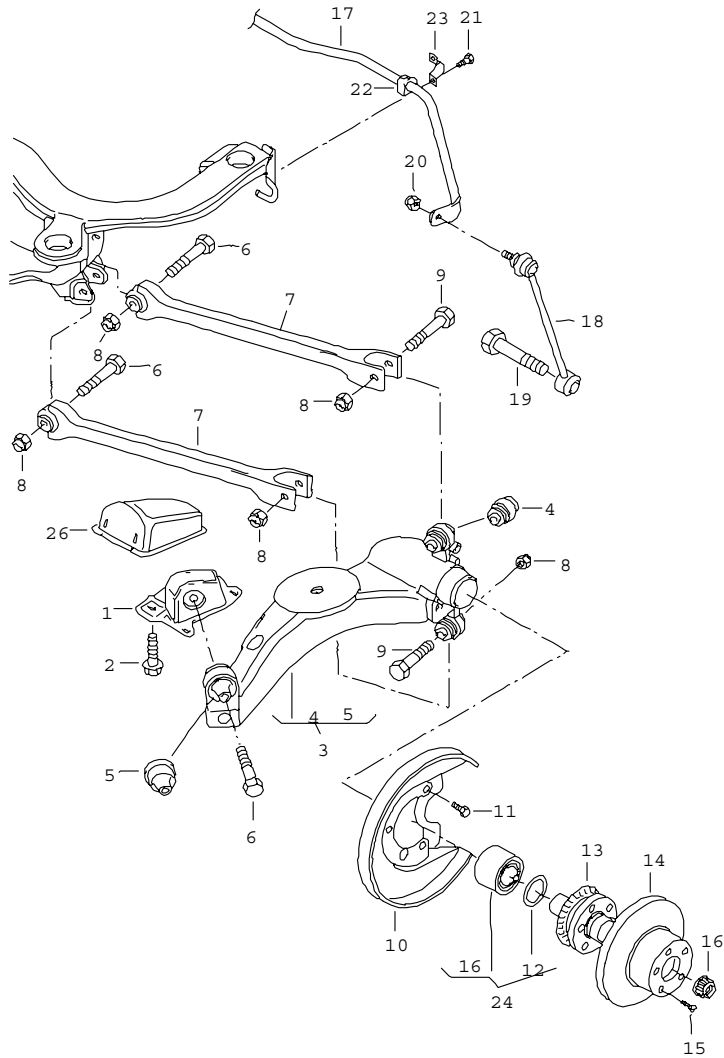


Model	Year	MG	SG	Illustration	Restrictions	Update	17:09	16.04.2005		ETKA	
GOLF	03	5	05	505-30		436					



Pos	Part Number	Name	Remarks	Qty	Model
		trailing arm track control arm stabilizer	rear		4motion
17	1J0 511 409 G	stabilizer	14MM	1	PR-0BH
17	1J0 511 409 H	stabilizer	15MM	1	PR-0BJ
(17)	1J0 511 409 J	stabilizer	16MM	1	PR-0BT
(17)	1J0 511 409 K	stabilizer	D=19MM	1	PR-0BU
(17)	1J9 511 409 E	stabilizer	14MM	1	PR-0BS
(17)	1J9 511 409 D	stabilizer	13MM	1	PR-0BL
18	1J0 505 466 B	connecting link		2	PR-1JU, 1JV, 1JX, UB0, UB7
(18)	1J0 505 466 C	connecting link for vehicles with heavy duty suspension		2	PR-1JW
19	N 104 281 01	hexagon head bolt c/w shoulder	M14X1,5X90	2	
20	N 102 861 02	shouldered hex. nut, self-locking	M10	2	
21	N 010 236 6	hexagonal head bolt	M8X13	4	
(22)	1J0 511 327 B	rubber mounting		2	PR-0BT
22	8D0 511 327 C	rubber mounting		2	PR-0BH, 0BL, 0BS
(22)	8D0 511 327 D	rubber mounting		2	PR-0BJ
(22)	4B0 511 327	rubber mounting		2	PR-0BU
23	8A0 511 439	clip		2	
24	1J0 598 625	wheel bearing with mounting parts		2	